



Product Specifications

Design and specifications are subject to change without notice.

Device Type	Closed Dynamic Stereo Headphone
Frequency Range	20Hz-40kHz
Impedance	75Ω
Sound Pressure Sensitivity	99dB/mW
Weight	Approx. 385g (Body Only)
Accessories	1.5m Headphone Cable (Φ 3.5mm Plug), 3.5m Headphone Cable (Φ 6.3mm Plug), Instruction Manual, Warranty Card
Made in Japan	

Thank you for purchasing the CROSSZONE CZ-10 headphones. For proper use, please read this manual carefully. In addition, please put the instruction manual and warranty card away for future reference.

Safety Precautions

Safety issues have been taken into full account while designing this product. Incorrect use of the product may cause accidents. In order to prevent the occurrence of accidents, please follow the instructions below.

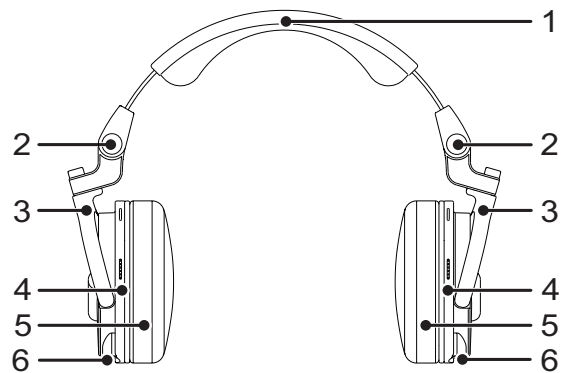
WARNING This icon indicates a situation which could result in death or severe injury to persons who disregard these instructions and handle the product incorrectly.	CAUTION This icon indicates a situation which could result in personal injury or physical damage, if these instructions are disregarded and the product is handled incorrectly.
<ul style="list-style-type: none"> Never use this product during the operation of automobiles, motorcycles, bicycles and other vehicles, so as to avoid traffic accidents. Never use the product at dangerous places (railway crossings, stations, construction sites, roads with running vehicles or bicycles) so as to avoid the occurrence of accidents due to the failure to hear your surroundings. 	<ul style="list-style-type: none"> Do not listen at high volume levels for long periods of time to prevent hearing damage. If you feel your skin uncomfortable during use, please stop using it immediately Do not disassemble or attempt to repair this product by yourself.

Precautions for Use

- Please read the instruction manual of the audio device carefully before using it.
- Please pay attention to adjust the volume in the public transport facilities and public places, so as not to disturb others.
- Turn down the volume of the audio device prior to connecting the headphones.
- This product is made of metal materials. Depending on the seasons, it may give you the feeling of cold when you touch it, and it may generate static electricity.
- Do not throw, hit or drop this product, otherwise malfunction may be caused.
- If this product is not in use for a long time, please keep it in a dry and clean place.
- Hold the headphone connector plug to connect and unplug it. Do not pull the headphone cable, otherwise the headphone cable may break.

Parts Names

Before operating the product, please refer to the diagram below to confirm various parts of the headphones.



1	Headband	4	Housing
2	Hinge (Adjustment Angle 57 °)	5	Ear Pad
3	Joint (Adjustment Angle +20° - -90°)	6	Headphone Jack

How to Take Care of Headphones

When you clean the body of the headphone, do not use abrasive, alcohol-based or organic cleaner.

- If the headphone cable is contaminated, clean it using a dry cloth. Prolonged contamination may cause degradation and hardening of the cable, thus resulting in malfunction.
 - If the headphone cable is contaminated, clean it using a dry cloth. Prolonged contamination may cause degradation and hardening of the cable, thus resulting in malfunction.
 - Connecting a contaminated headphone plug may lead to noisy operation. If the headphone plug is contaminated, clean it using a dry cloth.
 - Use a dry cloth to wipe off the dirt on the ear pads. Adherence of sweat or water to the ear pads may cause discoloration; please use a dry cloth to wipe them. It is recommended that the product be stored in a well-ventilated place to keep it dry.
- ※ Ear pads are consumables. Prolonged use and storage of ear pads may cause degradation. Change them in time. If you want to replace ear pads or other parts, please contact the dealer or customer service center.

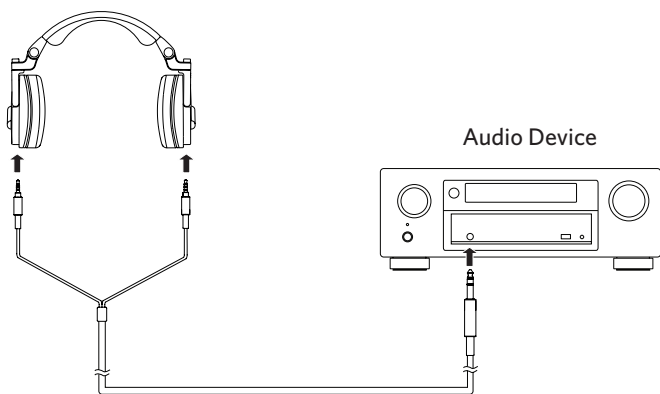
How to Use Headphones

After putting on the headphones, please allow the earpieces to gravitate to the front, leaning the ear pads of the headphone slightly against the rear to better experience external sound localization.

1. Connect the headphone plug to the headphone jack and audio jack, and turn down the audio volume to the minimum level before connecting.
2. Adjust the head band so that the ear pads fit your ears well; and then wear the headphones according to the identifying letters for left and right (LR) on the headphone. The LR identifying letters are on the left and right outside of the hinge.
3. When playing music, adjust the volume to your satisfaction

Connection Example

Regardless of inserting the plug into the left or right jack, the headphone works the same.



- ※ Insert the headphone plug completely into the jack, otherwise no sound will be heard.
- ※ Choose the corresponding headphone cable according to the size of the audio jack.
- ※ This product works better while connected to a high performance audio device.

Main Features

▪ Natural External Sound Localization (Front Side Localization) supported by ART (Acoustic Resonance Technology).

Each earpiece is equipped with two driver units to play the main sound sources (tweeter/ woofer) and another reserved driver unit to play the sound sources of the opposite channel, a natural sound field is carried out without any music source selection by the adoption of ADC (Acoustic Delay Chamber) technology.

▪ Actualization of natural sound quality and good balance of sound frequency.

All of the driver unit (Tweeter 23mm / Woofer 35mm / Reverse channel 35mm) is coated with beryllium and the brass ring is adopted, the balance of natural sound is well reproduced from lowest to highest frequencies.

▪ A striking visual design, born from the unique product characteristics.

Due to the tridimensional configuration of the three driver units, the housing has a unique triangular shape. The ADC structure that allows for the ART technology is in fact the reason for the unique triangular design.

▪ Dedicated cables to support high sound quality and high-resolution

A dedicated high quality cable is supplied with the CZ-10. The OFC (oxygen free copper) cable features an anti-noise, twisted structure. As there are 8 cores (4 X 2) separated from the plug at the amplifier side, this assures left-right channel separation.

The high quality cable supplied can be connected to either the left or the right earpiece. This adds to comfort and convenience when using the CZ-10. This feature also reduces wear and stress on the cable and the headset. (Left / right channel integrity is maintained, whichever side the cable is connected)

- ※ Standard accessorized cables are two cables of 1.5m (for mobile) and 3.5m (for listening room).

▪ "Made in Japan" words that inspire quality and trust

All parts are sourced locally from the EMS makers' precision machining technology. Assembly and optimization is carried out in Okaya City, Nagano Prefecture, JAPAN. Superior quality is assured

For Customers in Europe



This symbol [crossed-out wheel bin WEEE Annex IV] indicates separate collection of electrical waste and electronic equipment in the European countries. Please do not throw the equipment into domestic refuse. Please use the return and collection systems available in your country for proper, safe disposal of this product

- WEEE Directive (2012/19/EU)



"CE" mark indicates that this product complies with the European requirements for safety, health, environment and customer protection. "CE" marked Headphones are intended for sales in Europe.

CE Declaration of Conformity

- CE/EMC Directive (2014/30/EU)
- RoHS Directive (2011/65/EU)

Manufacturer : CROSSZONE LIMITED

1-7-39 Kamo Cho, Okaya -shi, Nagano- Pref., 394-0003 Japan

<http://www.crosszone.jp/>